

Installation and Operating Instructions For The Nectre Bakers Oven

Save These Instructions

Please read this entire manual before you install and use your new room heater. Failure to follow instructions may result in property damage, bodily injury, or even death.

Safety Notices

When this room heater is not properly installed, a house fire may result. To reduce the risk of fire, follow the installation instructions. Contact local building, fire officials, or authority having jurisdiction about restrictions, permit and installation inspection requirements in your area.

DO NOT INSTALL IN A MOBILE HOME.

DO NOT USE CHEMICALS OR FLUIDS TO START THE FIRE.

DO NOT BURN GARBAGE OR FLAMMABLE FLUIDS SUCH AS GASOLINE, NAPHTHA OR ENGINE OIL.

HOT WHILE IN OPERATION. KEEP CHILDREN, CLOTHING AND FURNITURE AWAY. CONTACT MAY CAUSE SKIN BURNS.

INSTALLATION

Before installation

After unpacking, check that the following parts are included inside the firebox:

2 side baffles

Handle for air control

Lifter for cook plates

Allan key for adjustment of top air.

Assembling the Bakers Oven

The Bakers Oven comes fully assembled. In transit the side baffle plates could have shifted. Make sure that they are in place on each side of the firebox. The side baffles hang off the sides of the firebox. Also make sure that the firebricks at the back of the firbox are also in place and not shifted in transit.

One of the main necessary precautions when installing a wood stove is to leave sufficient space between the stove (top, sides, back, front, and under stove pipes) and any other material that can catch fire.

If the stove is to be installed on a combustible floor, it must be placed on an approved 1" (25mm) non-combustible hearth pad with $k = 0.84 \text{ BTU/in ft}^2 \text{ hr } ^\circ\text{F}$. In the USA, the floor protector must extend 8" beyond each side of the flue loading door and 16" to the front. In Canada, the floor protector must extend 8" (200mm) beyond each side and the back of the appliance and 18" (450mm) to the front. (See fig. 4)

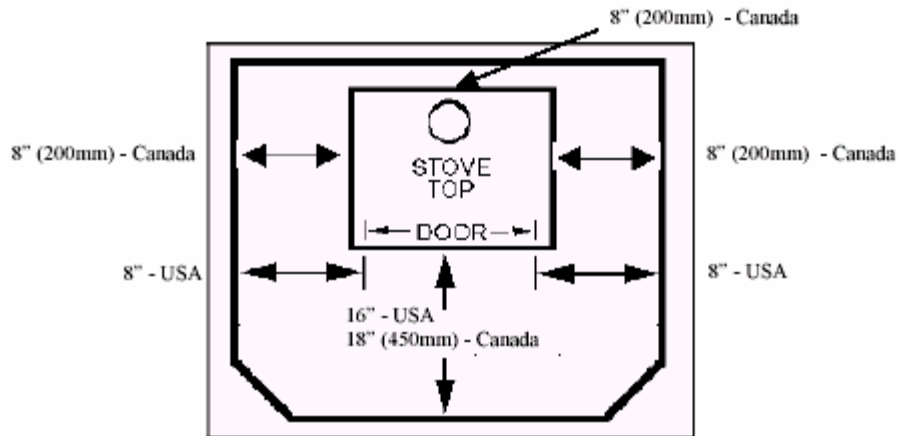


Fig. 4

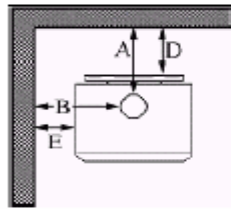
In a rear vent installation the floor protection must also extend under the stovepipe a minimum of 2" (50mm) beyond either side of the pipe.

Installation Clearances

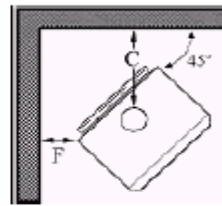
It is extremely important that you respect required installation distances and that you respect local installation regulations. This is for your safety! The manufacturer is not responsible for the product, if it is not installed following these recommendations. These clearances may only be reduced by means approved by the regulatory authority.

A combustible surface is anything that can burn (i.e. sheet rock, wall paper, wood, fabrics etc.) These surfaces are not limited to those that are visible and also include materials that are behind non-combustible materials. If you are not sure of the combustible nature of a material, consult your local fire officials.

Parallel Installation



Corner Installation



	Single wall connector pipe	Double wall connector pipe
A – Chimney Connector to backwall	16.5" (419 mm)	10.5" (267 mm)
B – Chimney Connector to sidewall	22" (559 mm)	18" (457 mm)
C – Chimney Connector to cornerwall	20" (508 mm)	15" (381 mm)
D – Unit to backwall	14" (356 mm)	8" (203 mm)
E – Unit to sidewall	14" (356 mm)	10" (254 mm)
F – Unit to cornerwall	11.5" (292 mm)	6.5" (165 mm)

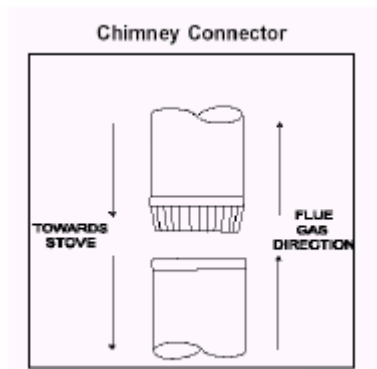
Chimney connection

The chimney connector is a single walled pipe used to connect the stove to the chimney. For use with the Bakers Oven the chimney connector **MUST** be 6" in diameter, with a minimum thickness of 24 gauge black steel or 26 gauge blued steel.

Aluminium and galvanized steel pipe is not acceptable for use with the Bakers Oven. These materials cannot withstand the extreme temperatures of a wood fire and can give off toxic fumes when heated.

Do not use the connector pipe as a chimney.

Each chimney connector or stovepipe section must be installed to the stove flue collar and to each other with the male (crimped) end toward the stove.



This prevents any amount of condensed or liquid creosote from running down the outside of the pipe or the stovetop. All joints, including the flue collar connection must be secured with three sheet metal screws to ensure that the sections do not separate. For the best performance the chimney connector should be as short and direct as possible, with no more than two 90° elbows. The maximum horizontal run is 36" and a recommended total length of stovepipe should not exceed 10 feet. Always slope horizontal runs upward 1/4" per foot toward the chimney.

No part of the chimney connector may pass through an attic or roof space, closet or other concealed space, or through a floor ceiling. All sections of the chimney connectors must be accessible for cleaning. Where passage through a wall or partition of combustible construction is desired, the installation must conform with NFPA 211 or CAN/CSA-B365, and is also addressed in this manual.

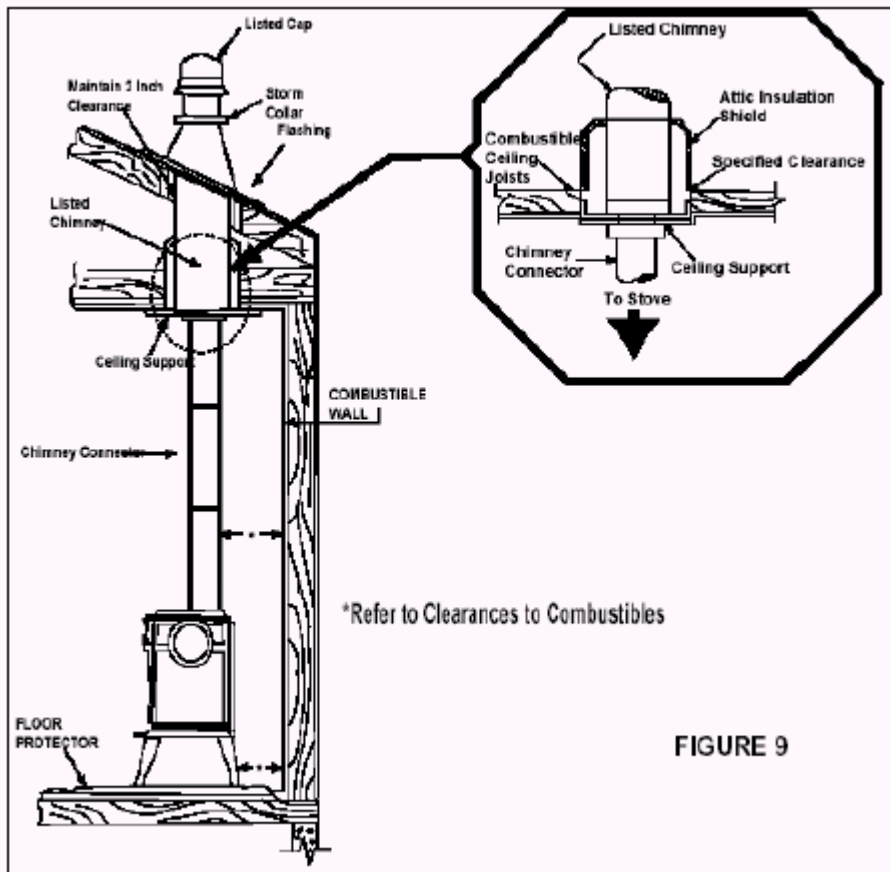
Chimney

DO NOT CONNECT THIS UNIT TO A CHIMNEY FLUE SERVING ANOTHER APPLIANCE. DO NOT CONNECT TO ANY AIR DISTRIBUTION DUCT OR SYSTEM.

This room heater must be connected to a 6" factory built UL 103 HT chimney (ULC S629, in Canada) or a code-approved masonry chimney with a flue liner.

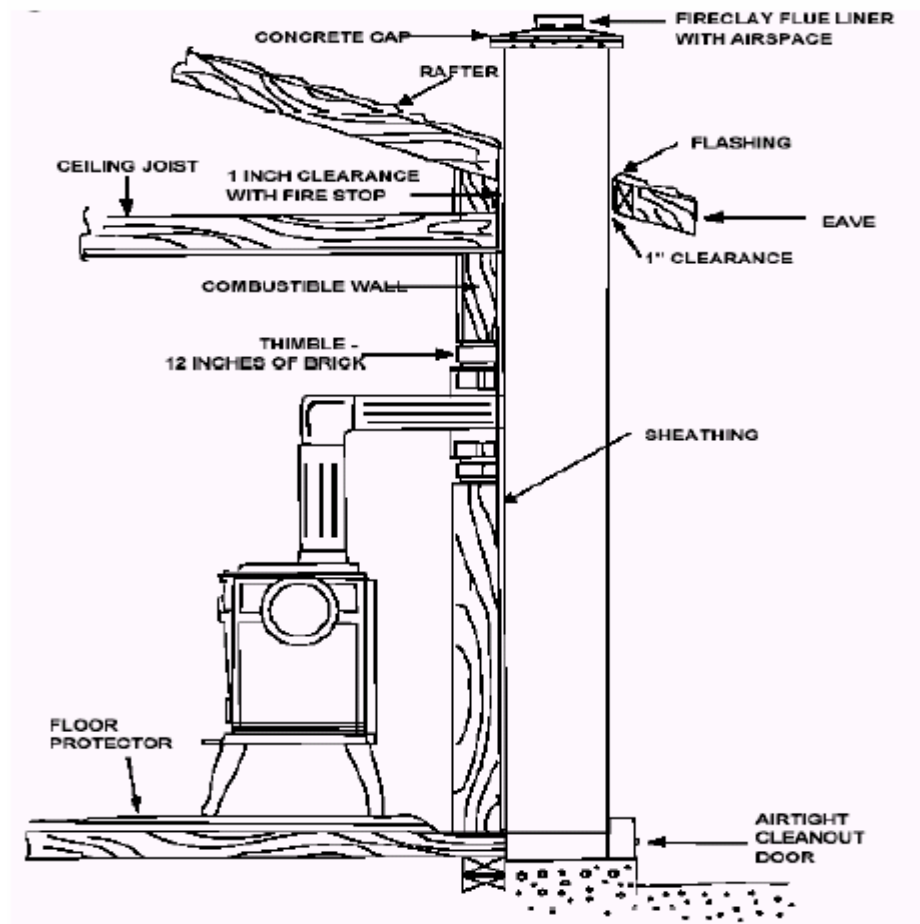
Factory Built Chimney

When a metal prefabricated chimney is used, the manufacturer's installation instructions must be followed. You must also purchase (from the same manufacturer) and install the ceiling support package or wall pass-through and "T" section package, firestops (where needed), insulation shield, roof flashing, chimney cap, etc. Maintain proper clearance to the structure as recommended by the manufacturer. The chimney must be the required height above the roof or other obstructions for safety and proper draft operation. See page 8 for chimney termination requirements.



Masonry Chimney

Ensure that a masonry chimney meets the minimum standards of the National Fire Protection Association (NFPA) by having it inspected by a professional. Make sure there are no cracks, loose mortar or other signs of deterioration and blockage. Have the chimney cleaned before the stove is installed and operated. When connecting the stove through a combustible wall to a masonry chimney, special methods are needed. Refer to Combustible Wall Chimney Connector Pass-Throughs on page 9.



Masonry Fireplace

There are listed kits available to connect a stove to a masonry fireplace. The kit is an adapter that is installed at the location of the fireplace damper. The existing damper may have to be removed to allow installation. As the Bakers Oven is not available in a rear flue option installation into a masonry can only be done if the height of the chimney opening exceeds the height of the Bakers Oven.

Chimney Height

A masonry chimney or a listed factory-built chimney must be the required height above the roof and any other nearby obstructions. The chimney must be at least 3' (90 cm) higher than the highest point where it passes through the roof and at least 2' (60 cm) higher than the highest part of the roof or structure that is within 10' (305 cm) of the chimney, measured horizontally.

